

FABRICore/FABRICloud



FABRICore/FABRICloud are budget-friendly large area acoustic luminaires that may be used as a singular unit but has been designed for grouping to form large luminous ceiling elements.

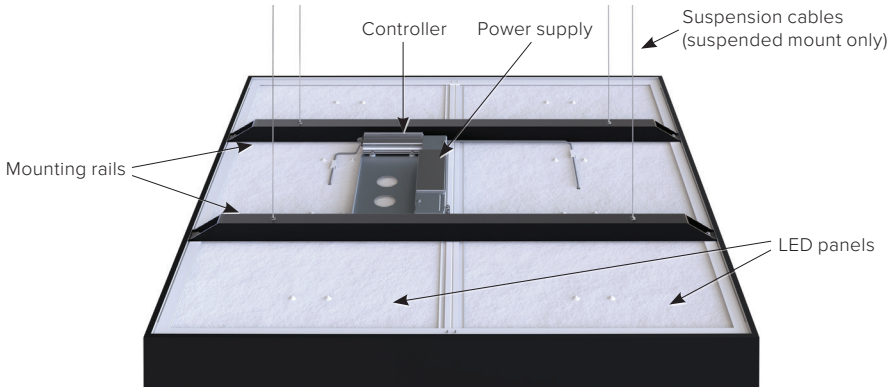
Features a removable fabric diffuser and the high quality of illumination for which Cooleedge is known.

Available with four (4) mounting options:

- Suspended
- Surface Mount
- Grid (T-Bar) Lay-in
- Recessed (Drywall/Plaster) - *FABRICloud 1x1 only

INSTALLATION GUIDE

1. COMPONENTS



RoHS



5 Year Limited Warranty:
Parts and workmanship

Cooledge Lighting Inc.
110-13551 Commerce Parkway
Richmond, BC V6V 2L1 Canada

O +1 604 273 2665
F +1 604 273 2660
T +1 844 455 4448



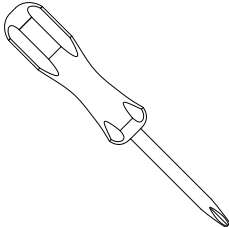
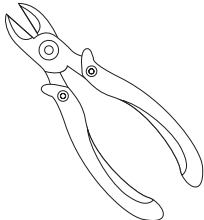
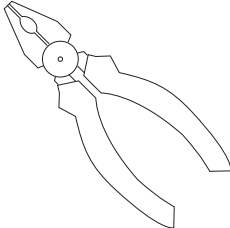
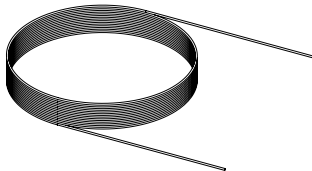
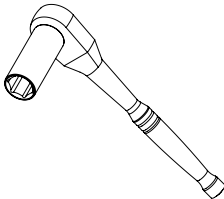
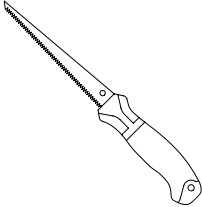
Cooledge Lighting reserves the right to change materials or modify the design of its product without notification as part of the company's continuing product improvement program.



CAUTION: 2 people min. recommended for install

2. TOOLS

! WARNING: Wear clean cotton or latex gloves when handling FABRICore/FABRICloud Luminaires.

<p>Gloves</p> 	<p>Measuring Tape</p> 	<p>#2 Phillips Screwdriver</p> 
<p>Cable Cutters</p> 	<p>Pliers</p> 	<p>Solid hanger wire (not required for suspended mount)</p> 
<p>17mm socket and ratchet (suspended mount only)</p> 	<p>Drywall saw (recessed mount only)</p> 	

! CAUTION: Observe precautions for handling electrostatic sensitive devices.

! CAUTION: Use appropriate Personal Protective Equipment (PPE) to ensure safety at work.

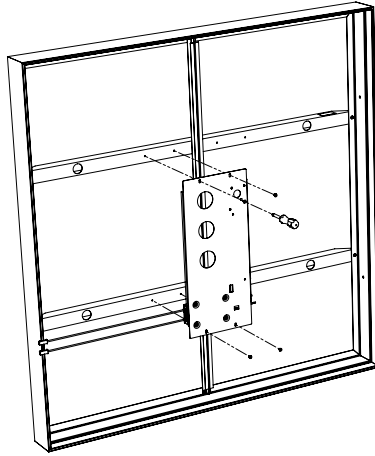
3. MOUNTING TYPES

- Direct ceiling (surface) mount – go to section 4
- Suspended mount – go to section 5
- Grid mount – go to section 6
- Recessed mount – go to section 7

4. DIRECT CEILING (SURFACE) MOUNT

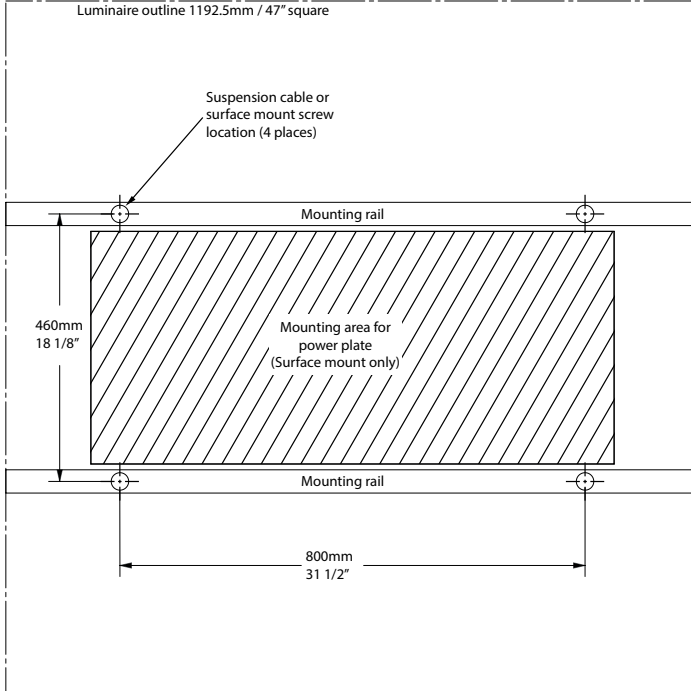
4.1 REMOVE POWER AND CONTROL ASSEMBLY FROM FRAME

Remove the four screws holding the power and control assembly to the frame.



4.2 MARK THE CEILING

Use the included mounting template to mark the position on the ceiling.



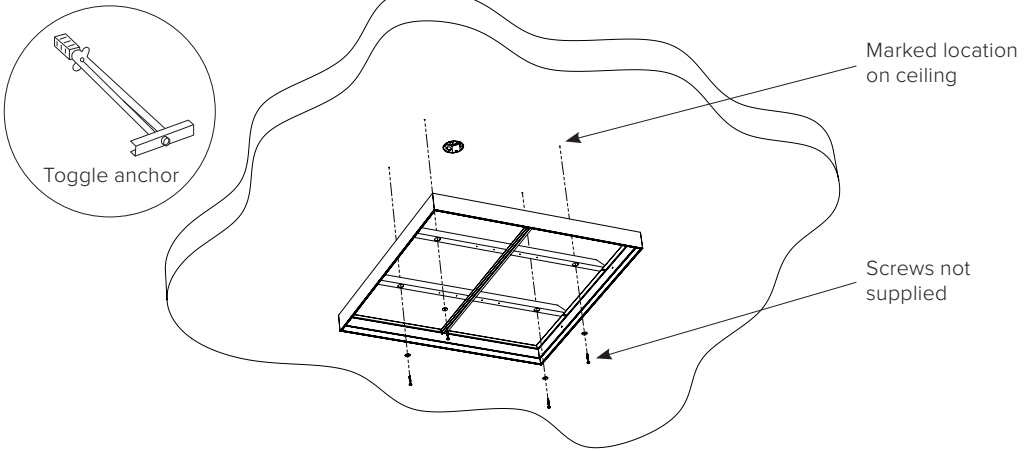
4.3 MOUNT THE FRAME TO THE CEILING



CAUTION: 2 people min. recommended for install

CAUTION: The luminaire weight is 14kg/31lbs. Ceiling fasteners are not provided by Cooledge. Ensure the mounting can withstand the load including any safety margin required by national or local building codes.

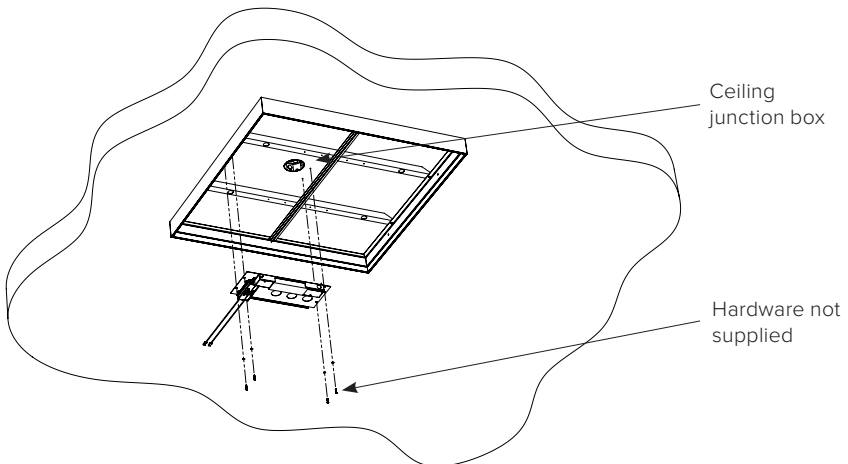
It is recommended to mount the luminaire directly to structure. If mounting to drywall use suitably rated toggle style anchors.



4.4 MOUNT THE POWER AND CONTROL ASSEMBLY

NOTE: the power and control assembly must be mounted between the frame mounting rails as indicated on the mounting template. Do not mount remotely.

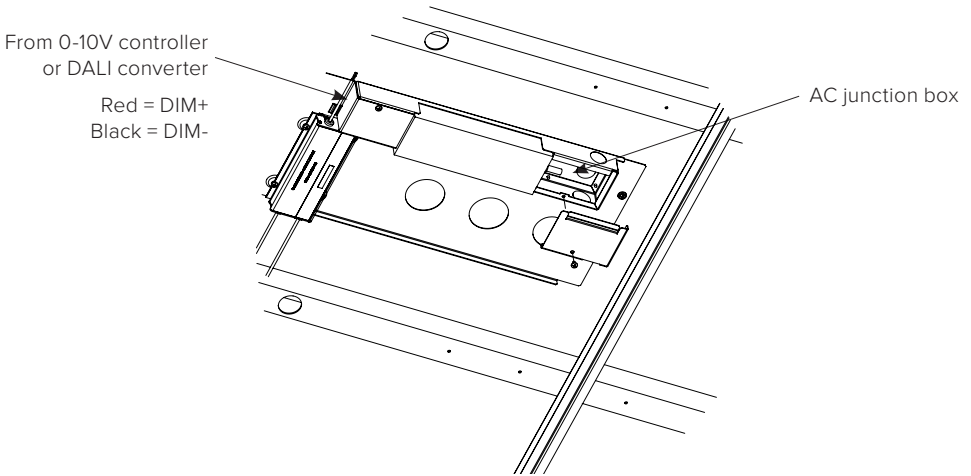
Mount the power and control assembly to the ceiling using four fasteners (not included) appropriate to the ceiling material. The weight of the power and control assembly is 2.2kg/4.9lbs. Ensure the fasteners can safely support this load. If the power and control assembly is to be mounted over a ceiling junction box, punch out the knockout in the plate before mounting. Align the hole to the AC cable in the ceiling junction box.




4.5 CONNECT AC POWER


The electrical power connections should be made by a qualified electrician in accordance with all national and local electrical and construction codes.

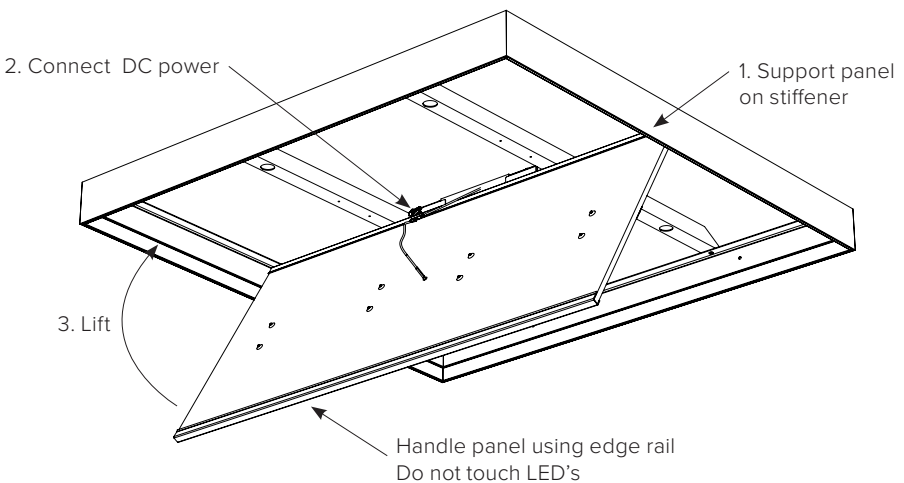
 **CAUTION:** Ensure electrical power is disconnected!

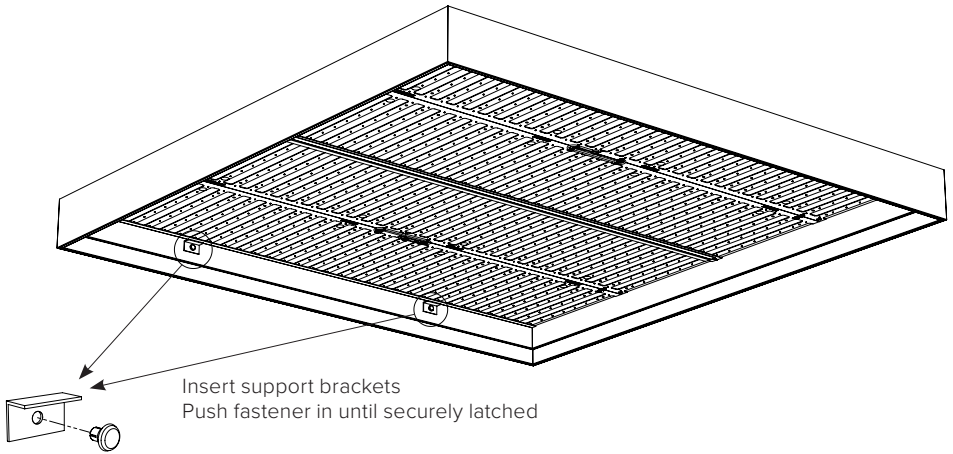


4.6 INSTALL THE LED PANELS

 **CAUTION:** Observe precautions for handling electrostatic sensitive devices.

 **CAUTION:** 2 people min. recommended for install



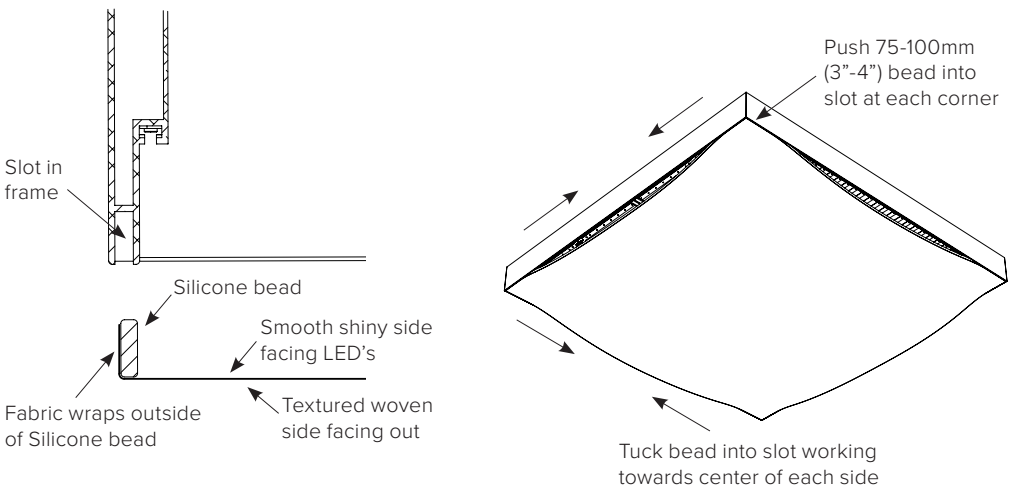


Repeat both steps for second panel

4.7 TEST LIGHTING

Turn on the luminaire and verify that all LEDs are lit. Test that the dimming is functioning correctly. (if connected)

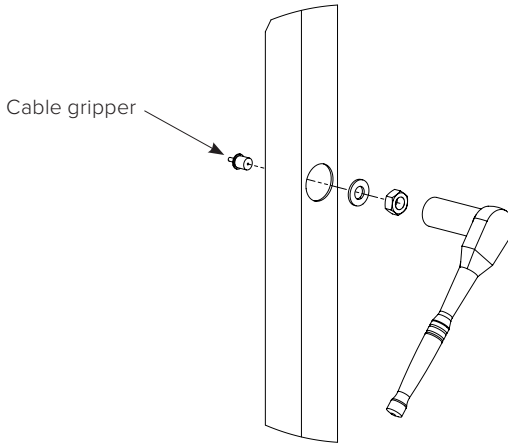
4.8 INSTALL FABRIC



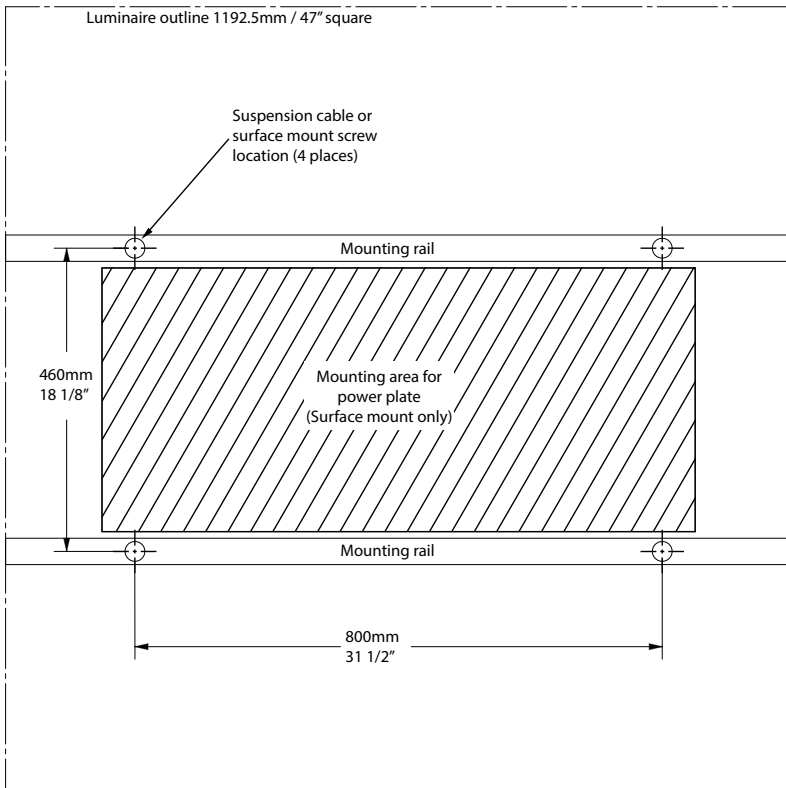
To create a luminous ceiling, luminaires should be mounted directly adjacent to each other (butted together). The mounting procedure 4.0-4.8 applies for each individual "core" luminaire.

5. SUSPENDED MOUNT


5.1 ATTACH 4X CABLE GRIPPERS TO MOUNTING RAILS

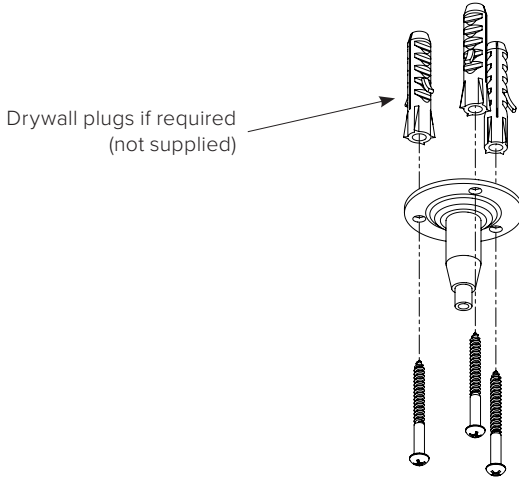


5.2 MARK THE CEILING USING MOUNTING TEMPLATE

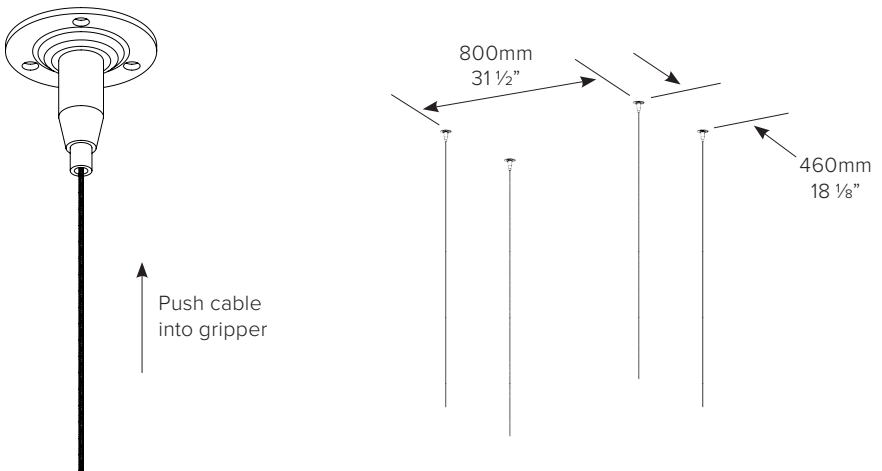


5.3 ATTACH 4X CEILING GRIPPERS TO CEILING

 **NOTE:** when possible mount to studs or solid surface. Use drywall plugs only when necessary. Each cable gripper must be able to support 15kg.



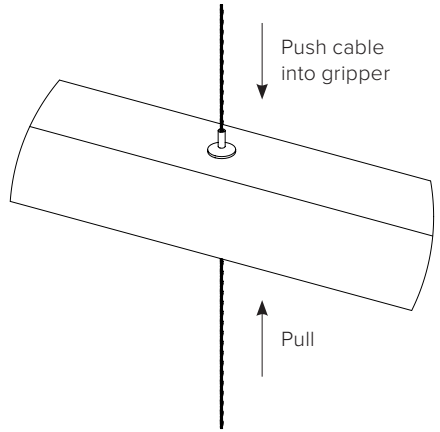
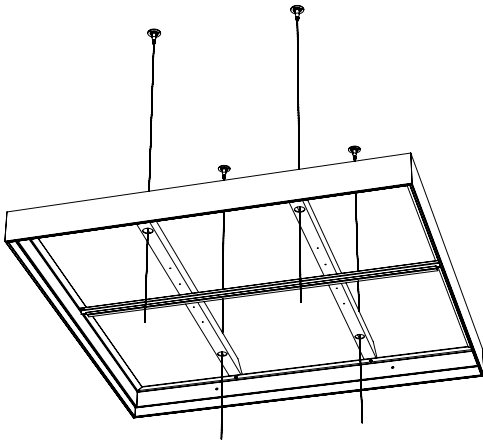
5.4 HANG CABLES FROM GRIPPERS



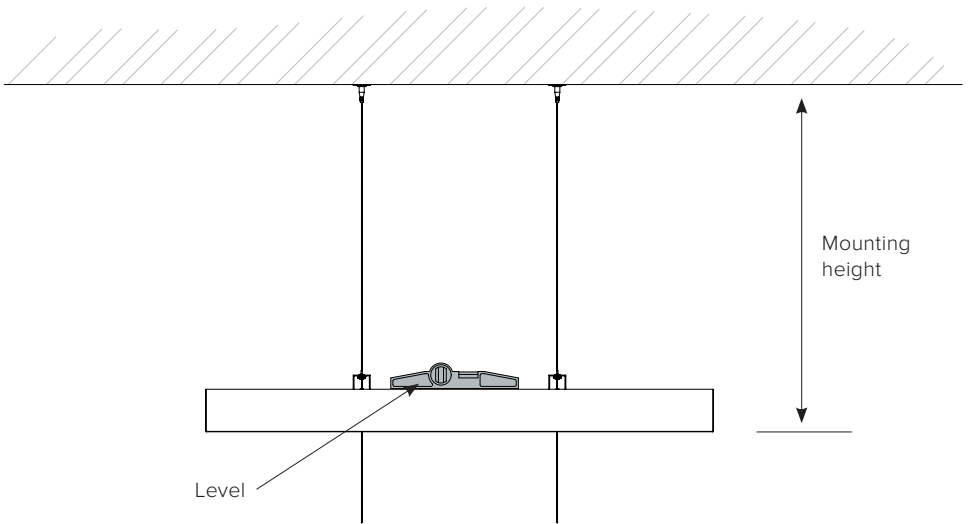
5.5 HANG LUMINAIRE FRAME



CAUTION: 2 people min. recommended for install

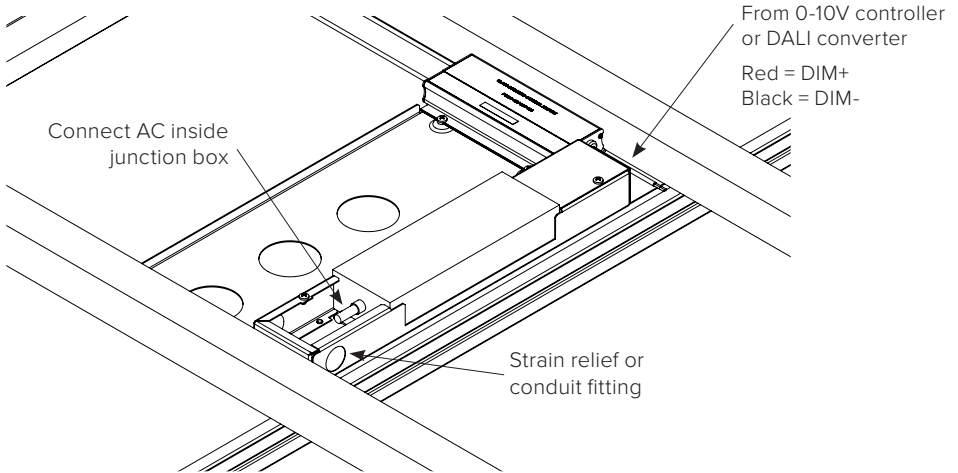


5.6 SET HEIGHT AND LEVEL



5.7 CONNECT AC POWER

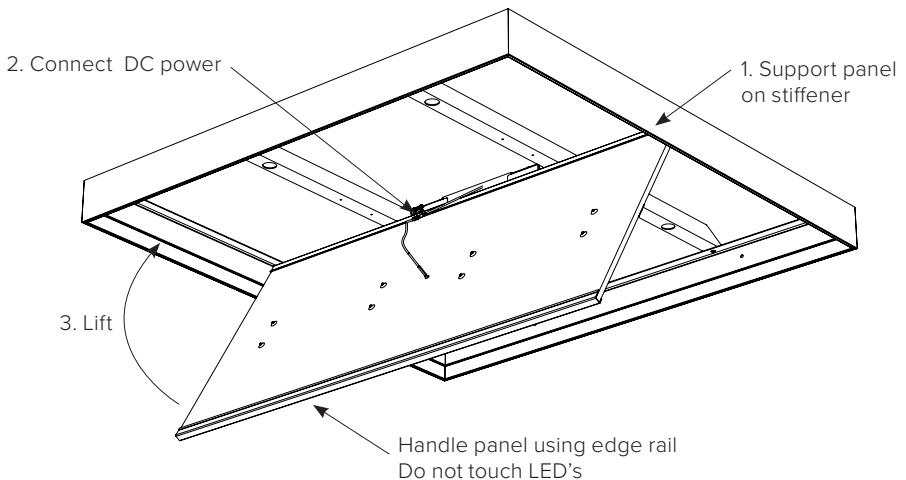
⚠ WARNING: The electrical power connections must be made by a qualified electrician in accordance with all national and local electrical and construction codes

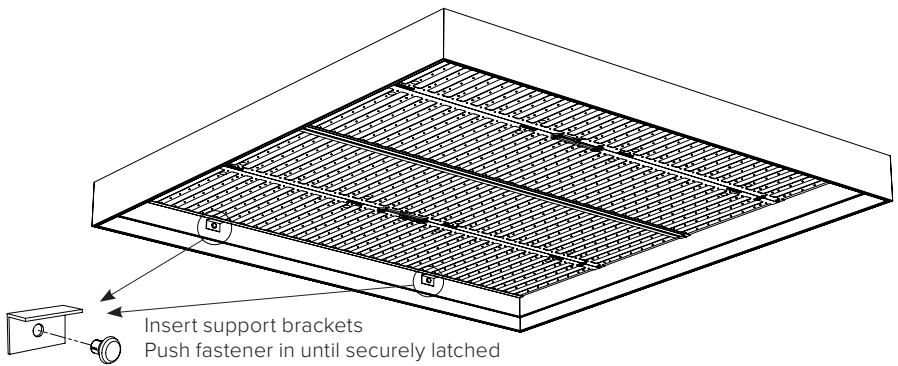


5.8 INSTALL LED PANELS

⚠ CAUTION: Observe precautions for handling electrostatic sensitive devices.

👤 CAUTION: 2 people min. recommended for install





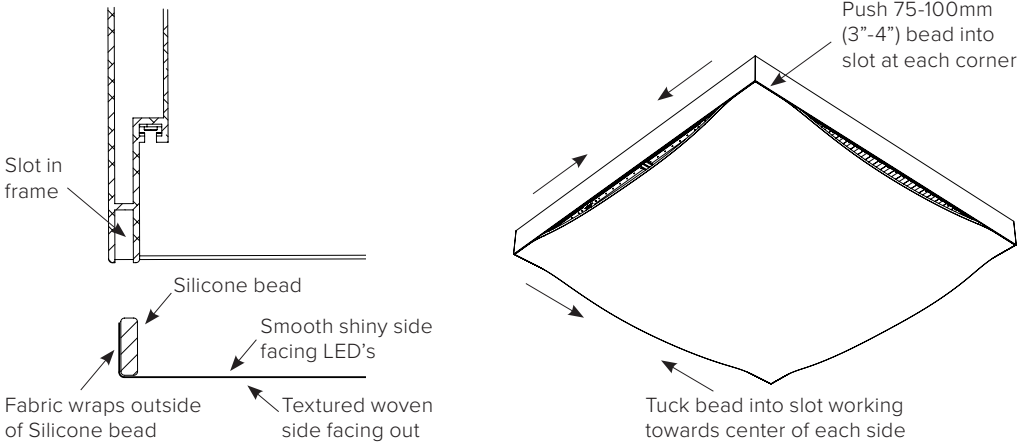
Repeat both steps for second panel

5.9 TEST LIGHTING

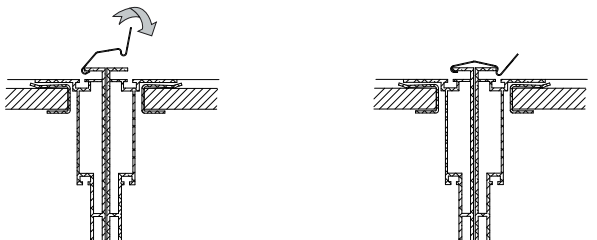
Turn on the luminaire and verify that all LEDs are lit. Test that the dimming is functioning correctly. (if connected)

5.10 INSTALL FABRIC

⚠ WARNING: Wear clean cotton or Latex gloves when handling fabric.



To create luminous ceiling clouds, the FABRICore/FABRICloud luminaires are to be connected together using the clips provided. Alignment of the mounting points prior to installation (5.2) will allow connections to be made more easily.



6. GRID MOUNT

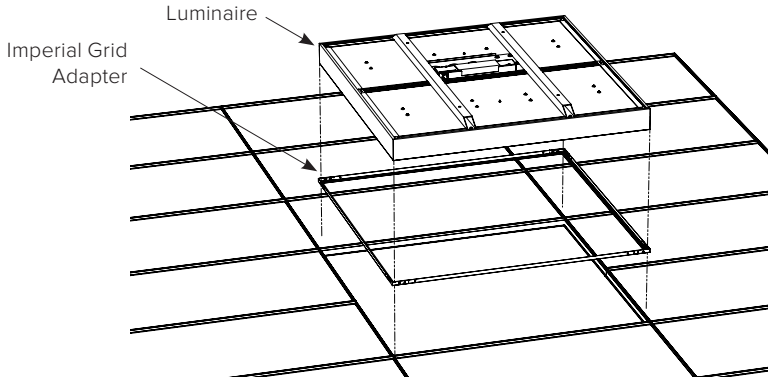
NOTE: The LED panels and fabric must be installed **before** mounting in the ceiling. Follow the steps below.



NOTE: No insulation material is to be placed on top of the luminaire.

6.1 PREPARE THE CEILING GRID

FABRICore/FABRICloud luminaires fit into a 1200mmx1200mm T-bar ceiling without an adapter, for 48"x48" T-bar openings an Imperial Grid Adapter is required (LACC-G-K) - ordered and shipped separately. The luminaire should be supported on two edges by main beams and the other two edges by cross tees.



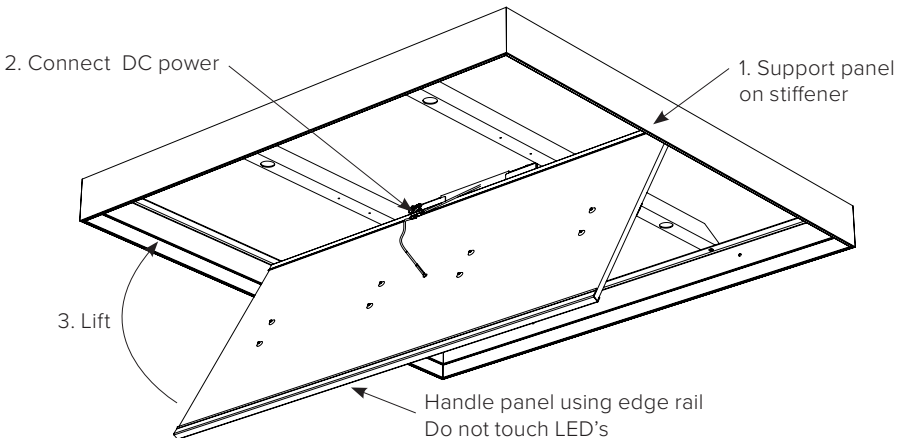
CAUTION: Weight of one FABRICore or FABRICloud luminaire is 14kg/31 lbs. The Imperial Grid Adapter required for inch-sized (imperial) ceiling grid weighs an additional 0.8kg/1.75lbs.

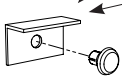
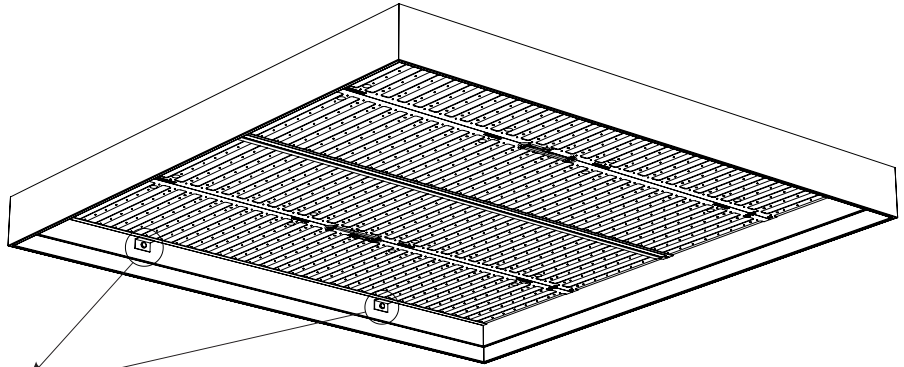
Consult your ceiling grid supplier or manufacturer for allowable loading. Do not install Cooledge FABRICore/ FABRICloud luminaires in ASTM C-635 light duty grids or EN 13964:2014 Class 1 grids.

6.2 INSTALL THE LED PANELS



CAUTION: 2 people min. recommended for install

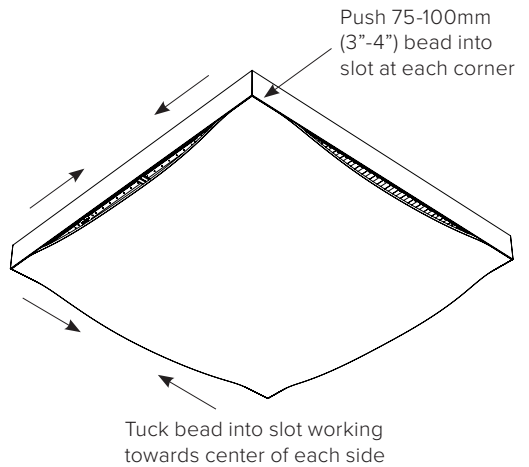
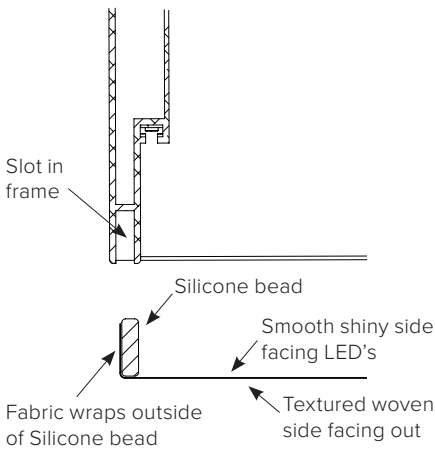




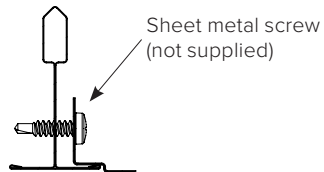
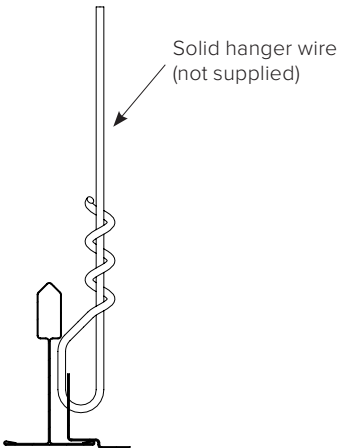
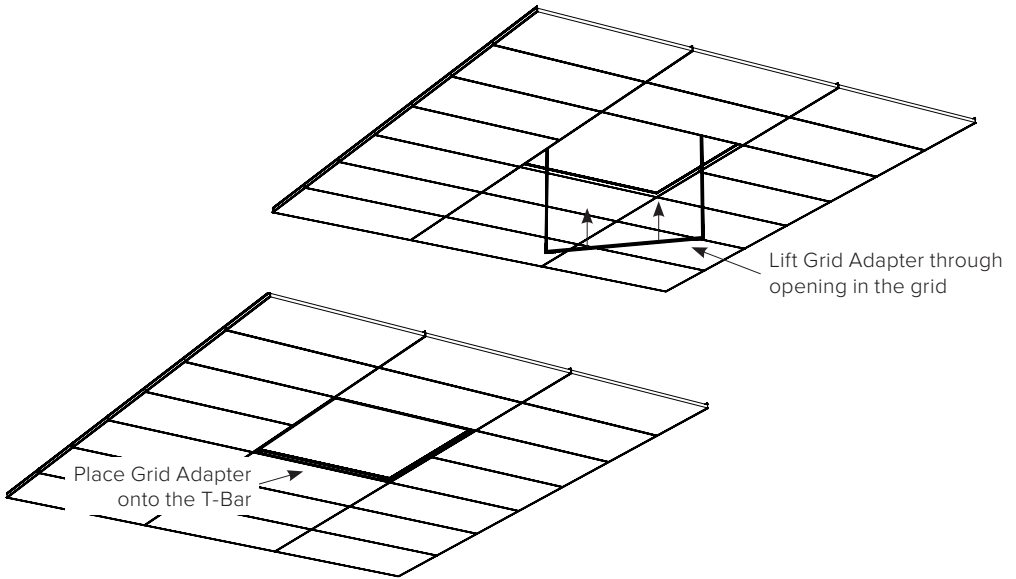
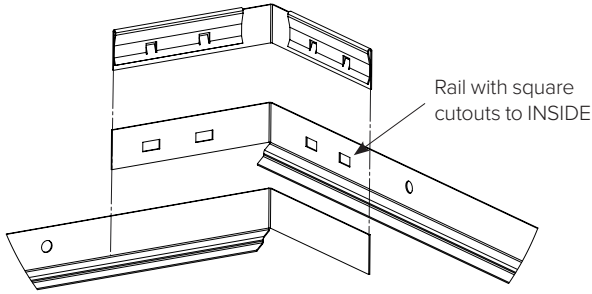
Insert support brackets
Push fastener in until securely latched

Repeat both steps for second panel

6.3 INSTALL FABRIC




6.4 INCH-SIZE GRIDS (IMPERIAL) ONLY - INSTALL ADAPTER

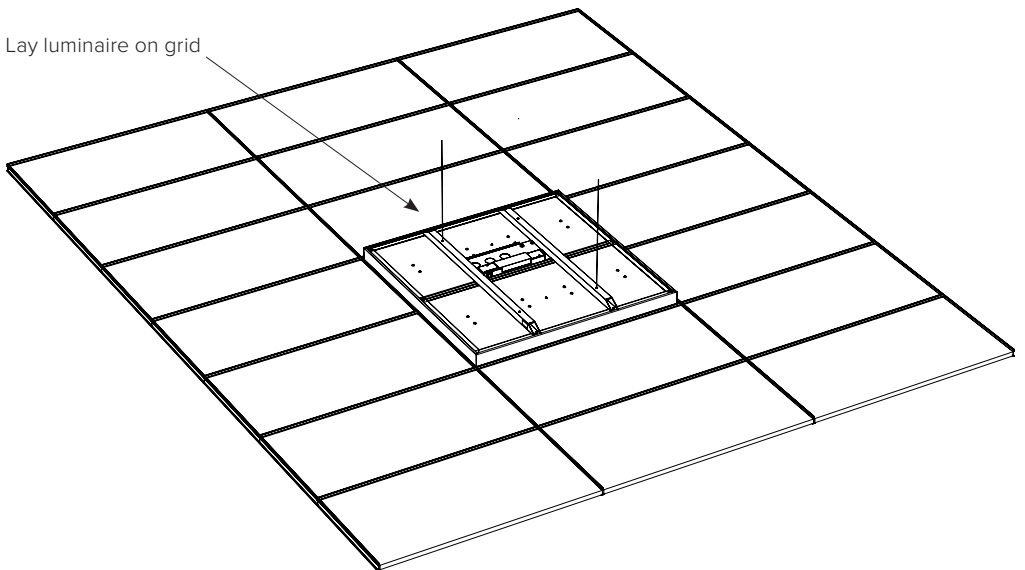
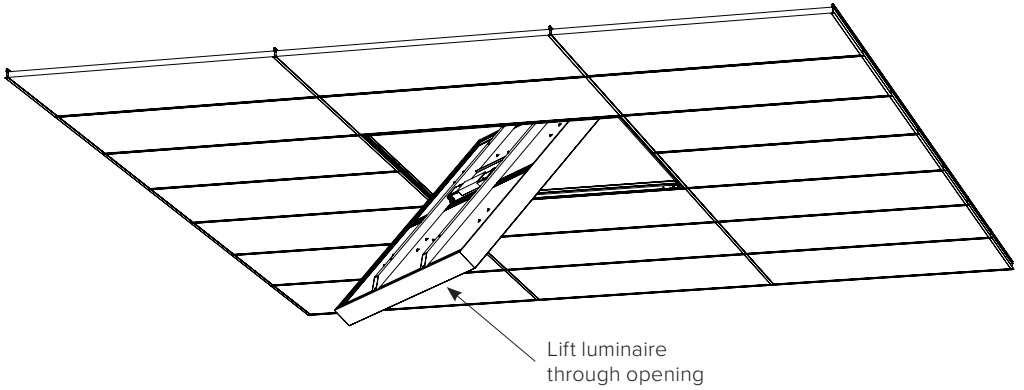


6.5 MOUNT THE FRAME IN THE GRID OPENING

 CAUTION: 2 people min. recommended for install

 CAUTION: Wear clean cotton or latex gloves; handle the unit only by the edges, do not press on the fabric!

 CAUTION: Remove an adjacent ceiling for access when lifting through grid.

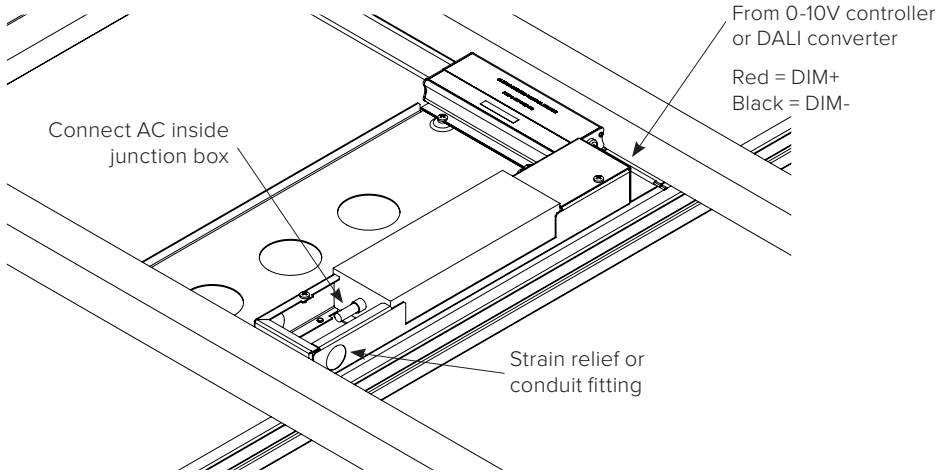


6.6 CONNECT AC POWER

 **CAUTION:** Ensure electrical power is disconnected!

The electrical power connections should be made by a qualified electrician in accordance with all national and local electrical and construction codes.

Remove an adjacent ceiling tile provide access to the top of the luminaire



6.7 TEST LIGHTING

Turn on the luminaire and verify that all LEDs are lit. Test that the dimming is functioning correctly. (if connected)

7. RECESSED MOUNT

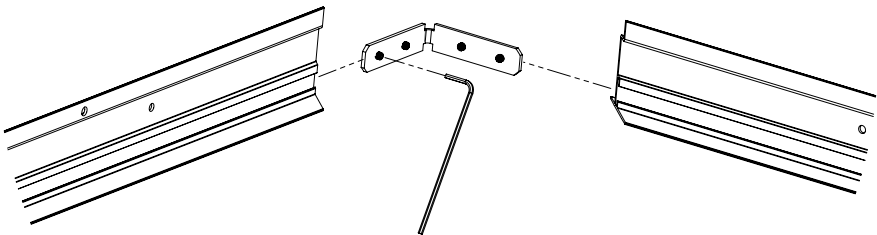
NOTE: The LED panels and fabric must be installed **before** mounting in the ceiling. Follow the steps below.



NOTE: No insulation material is to be placed on top of the luminaire.

7.1 ASSEMBLE THE RECESSED MOUNT ADAPTER LACC-R-K W

A Recessed Mounting Adapter (LACC-R-K) is required. This adapter is ordered and shipped separately.

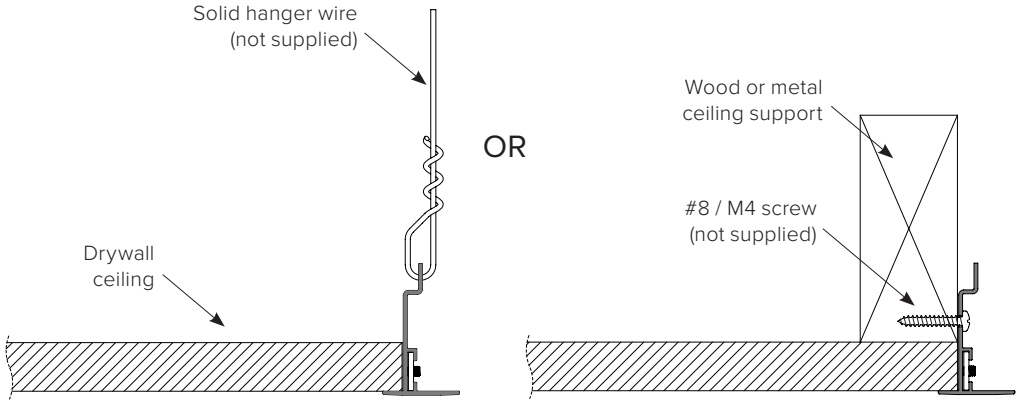


7.2 PREPARE THE CEILING OPENING

Cut the ceiling opening to 1220x1220mm / 48"x48".

Install the recessed mount adapter kit LACC-R-K (sold separately).

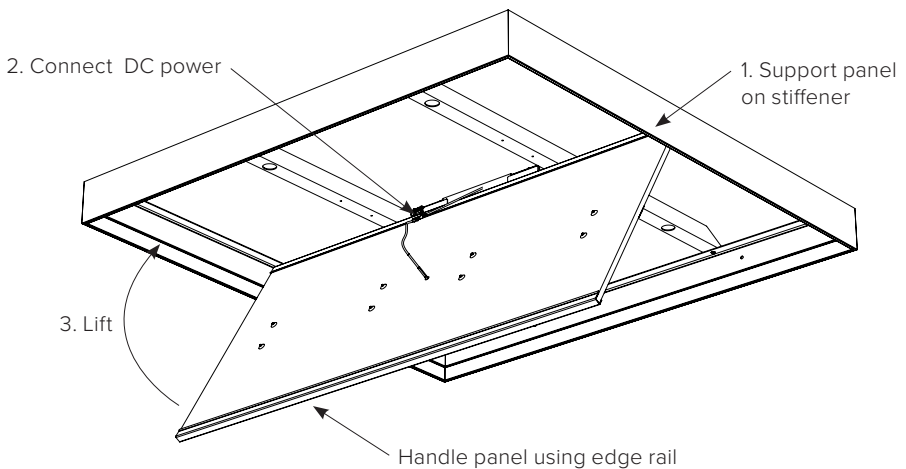
Install support wires or screws (not supplied) as required by national and local building codes.

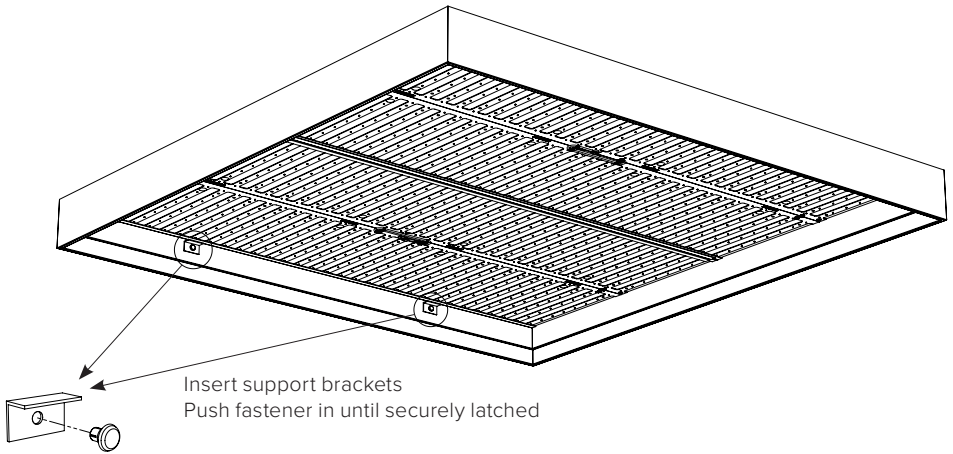


7.3 INSTALL THE LED PANELS

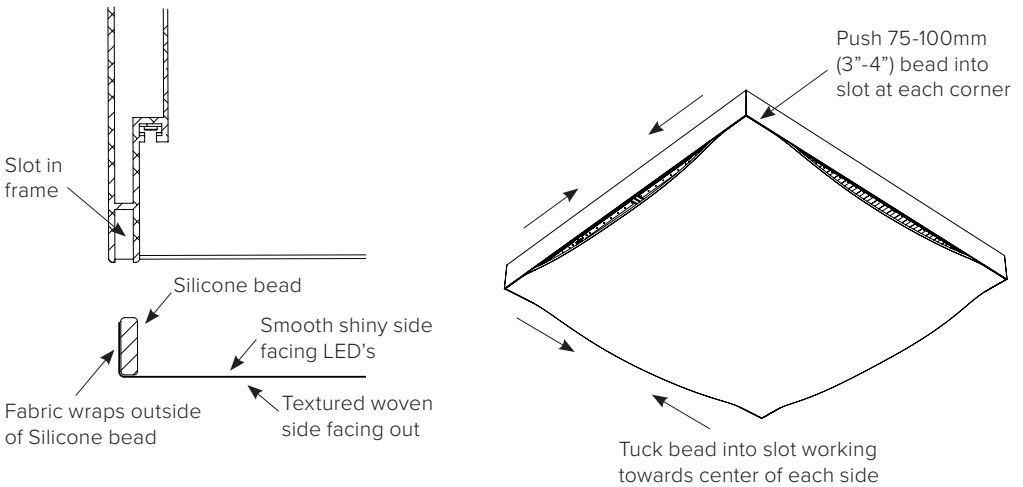


CAUTION: 2 people min. recommended for install





7.4 INSTALL FABRIC




7.5 CONNECT AC POWER

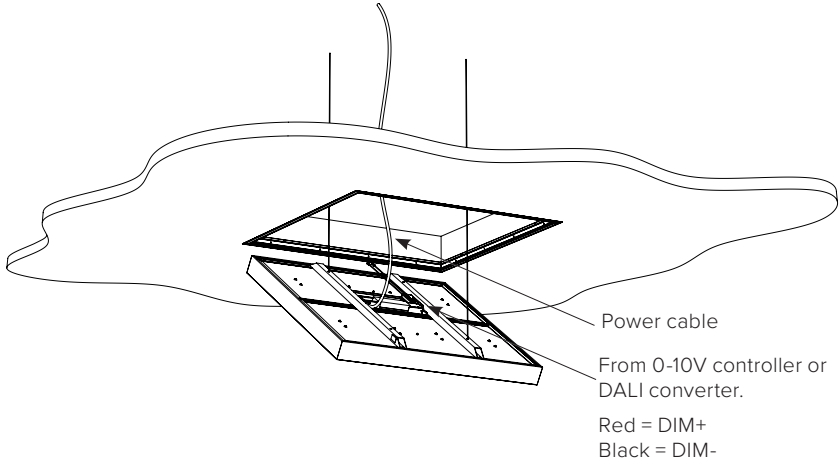
⚠ CAUTION: Wear clean cotton or latex gloves; handle the unit only by the edges, do not press on the fabric!

⚠ CAUTION: Ensure electrical power is disconnected!

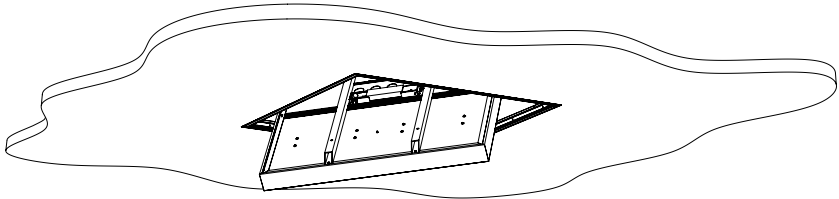
The electrical power connections should be made by a qualified electrician in accordance with all national and local electrical and construction codes.

 **CAUTION:** 2 people min. recommended for install

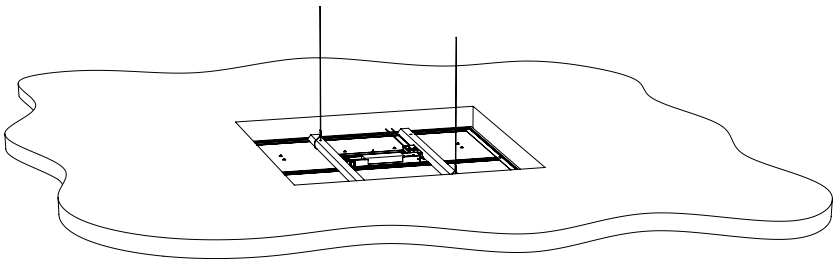
Lift the luminaire close to the ceiling and support on a scaffold/lift or hang temporarily from 18Ga min solid steel hanger wires (not supplied). Connect the AC power to the junction box. Where required by national or local electrical codes the AC cable may need to be in flexible conduit or of minimum rated jacket type.



7.6 MOUNT THE LUMINAIRE IN THE CEILING OPENING



 **CAUTION:** Install support wires must be installed in accordance with national and local building codes



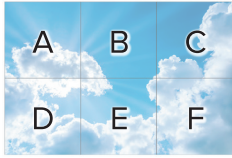
7.7 TEST LIGHTING

Turn on the luminaire and verify that all LEDs are lit. Test that the dimming is functioning correctly. (if connected)

FABRICLOUD APPENDIX: CREATING LUMINOUS CLOUDS (SCENES COMBINATION)

To create luminous clouds follow the order below. All fabrics are labeled with letters.

SKY 2X3



12' x 8' (3.6m x 2.4m)

1X1



4' x 4'
(1.2m x 1.2m)

1X2



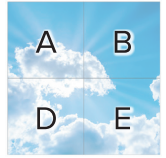
8' x 4'
(2.4m x 1.2m)

1X3



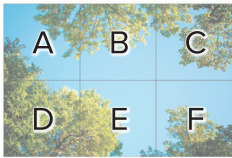
12' x 4'
(3.6m x 1.2m)

2X2



8' x 8' (2.4m x 2.4m)

TREES 2X3



12' x 8' (3.6m x 2.4m)

1X1



4' x 4'
(1.2m x 1.2m)

1X2



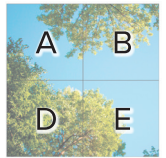
8' x 4'
(2.4m x 1.2m)

1X3



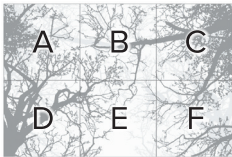
12' x 4'
(3.6m x 1.2m)

2X2



8' x 8' (2.4m x 2.4m)

SHADOWS 2X3



12' x 8' (3.6m x 2.4m)

1X1



4' x 4'
(1.2m x 1.2m)

1X2



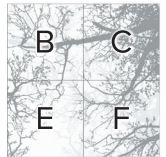
8' x 4'
(2.4m x 1.2m)

1X3



12' x 4'
(3.6m x 1.2m)

2X2



8' x 8' (2.4m x 2.4m)



RoHS

ENERGY
THIS PRODUCT CONTAINS
A LIGHT SOURCE OF ENERGY
EFFICIENCY CLASS E



5 Year Limited Warranty:
Parts and workmanship

Cooledge Lighting Inc.
110-13551 Commerce Parkway
Richmond, BC V6V 2L1 Canada

O +1 604 273 2665
F +1 604 273 2660
T +1 844 455 4448

Cooledge Lighting reserves the right to change materials or modify the design of its product without notification as part of the company's continuing product improvement program.